

CNC press brakes by HM Machinery



- Standard 3 axes (Y1, Y2, X)
- STEP AUTOMATION controller
- Bosch Rexroth or Hawe Hoerbiger hydraulic system
- Eurostamp or Rolleri standard tooling
- CE-marked

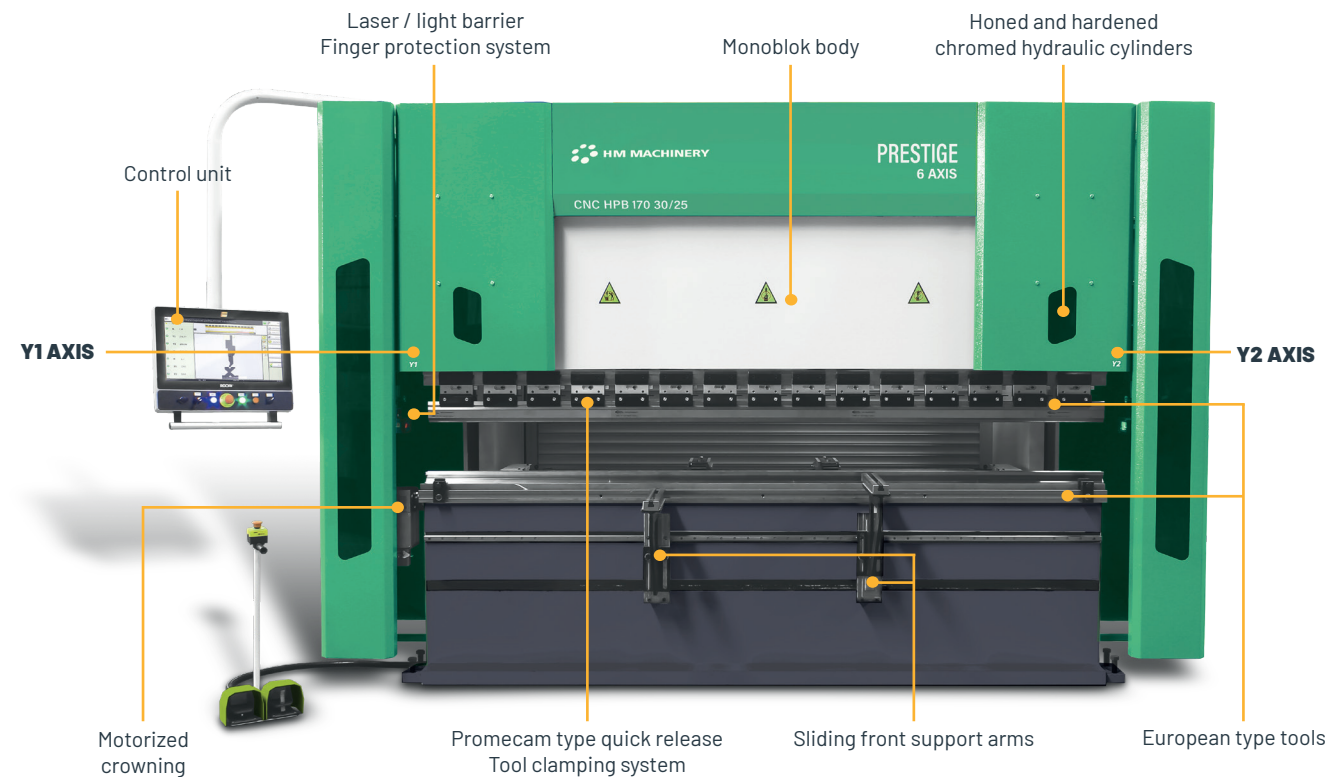


HM MACHINERY

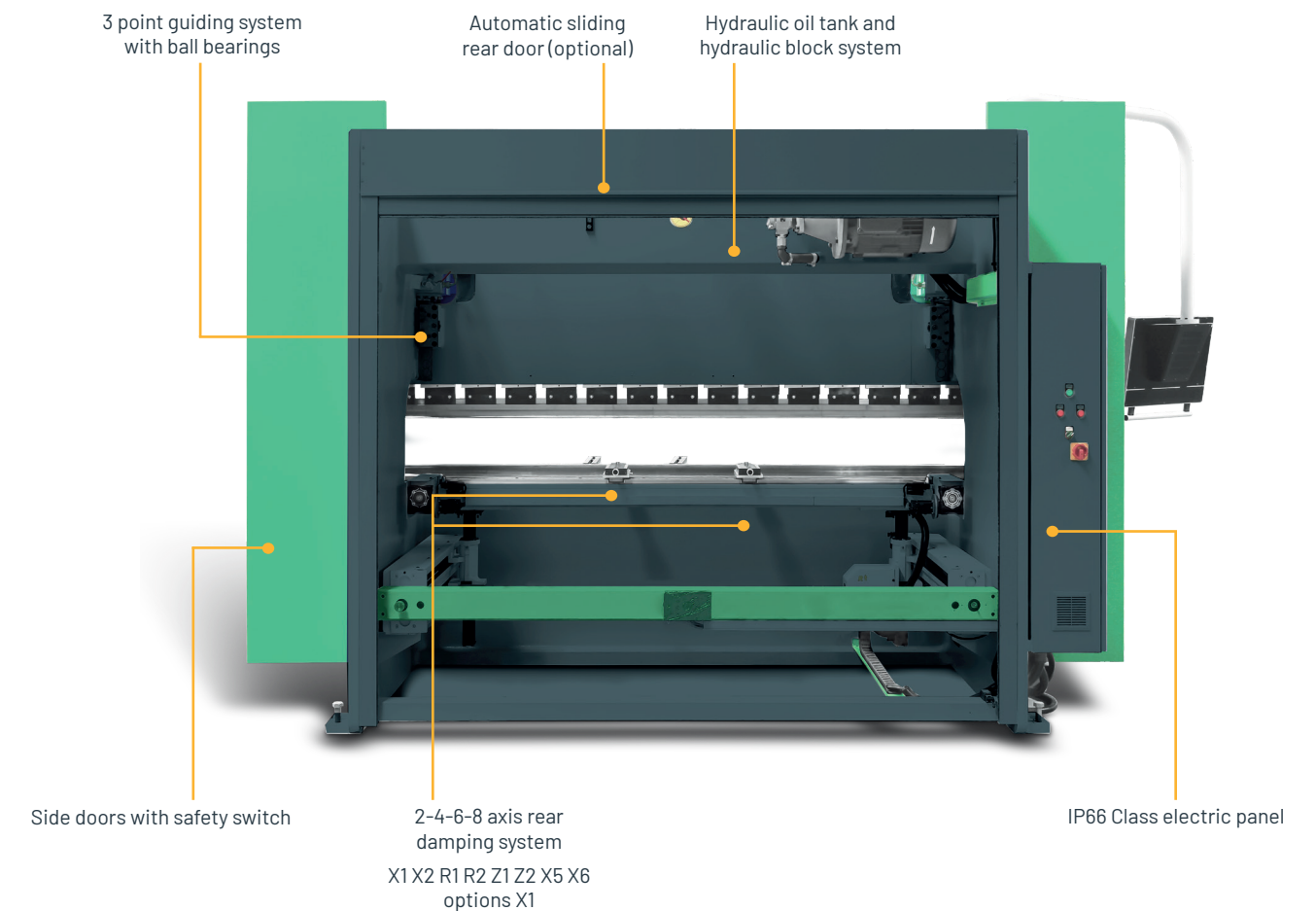
Cutting - Edge Technology



Press brake - front



Press brake - back



GENERAL STANDARD FEATURES

- Standard 3 axes (Y1, Y2, X)
- Manual R axis
- Step automation RK 12 2D graphical control panel
- Bosch Rexroth or HAWE Hoerbiger hydraulic system
- Front laser protection system
- Rear light guard protection
- Side guards with switch
- European type segmented top and bottom tool system - EUROSTAMP or ROLLERI.
- Promecam quick release clamping system
- Front sliding support system
- Portable control panel for operator
- Foot pedal confirming EC regulation
- Emergency stops
- Electrical cabinet confirming EC regulation
- Crowning system optional - Manual or Motorized

SOME OPTIONAL FEATURES

- CYBELEC / ESA / DELEM controllers
- DSP or AKAS laser safety system or light guard system (obligatory for EC regulation)
- Promecam type hydraulic / pneumatic top and bottom clamping system
- WILA or ROLLERI type hydraulic / pneumatic / mechanic top and bottom clamping system
- CNC controlled motorized crowning (C Axis) or manual crowning
- Oil heater / cooler
- Automatic rear sliding doors
- Additional back gauge finger blocks and front support arms
- Rear light guard
- Please contact us for more options as much more are available

Product details



3 point guiding system with ball bearings



European type separated top and bottom tools system



Back light curtain safety system



STEP AUTOMATION RK12 (STANDARD) or RK15

The perfect solution for every need. SA touch series CNC offers a versatile range of solutions and it is able to meet all the demands of bending.

- Easy to handle, intuitive and practical
- Successfully controlling precision and productivity
- Full compatibility



CYBELEC MODEVA PAC / CYBTOUCH 12

Modeva Pac and CybTouch 12 are a natural evolution of Cybelec's famous numerical controls. It is the latest evolution of the Cybelec's user interface, which empowers the operator to interact in a quick, convenient and more efficient manner with the machine, ultimately increasing the productivity.



DELEM 58T



DELEM 69T

The new generation DA-Touch controls offers an even higher grade of efficiency in programming, operation and control of today's press brakes. Ease of use combined with state-of-the-art technology go hand in hand, improving productivity. The touchscreen gives access to the proven Delem user-interface and enables direct navigation between programming and production.

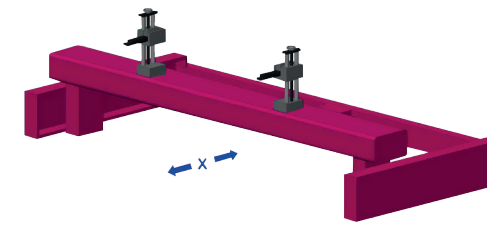


STEP AUTOMATION ROCK

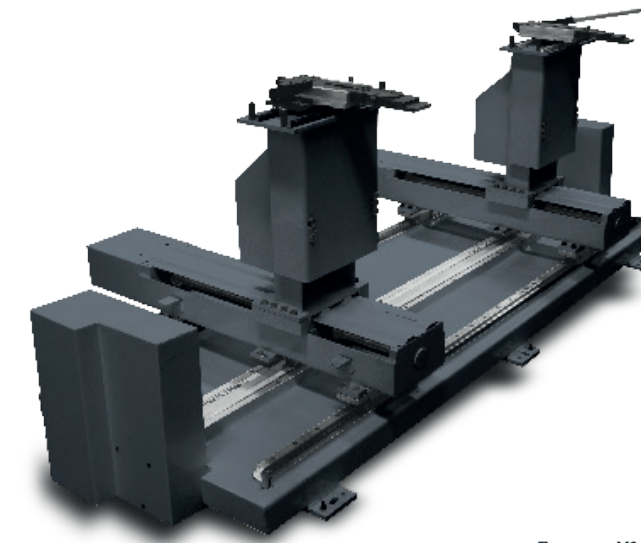
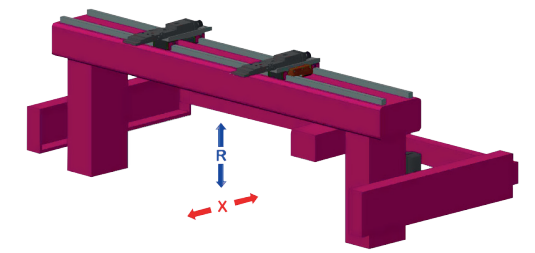
- Scheduled Maintenance Management for a machine always efficient
- Advanced programming assisted by attachments and video
- Sampling of the material for an accurate production
- Exporting of computed flat patterns as DXF files
- Tools and parts import from CAD
- 3D Simulation with automatic best bend sequence identification with collision detection
- Automatic tool selection and machine tooling

Back gauge systems

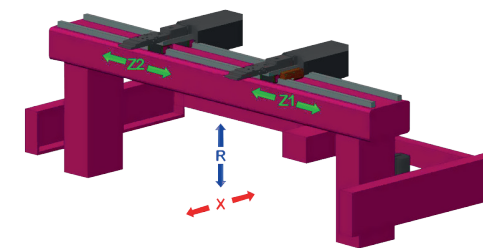
1 axis + Y1 & Y2



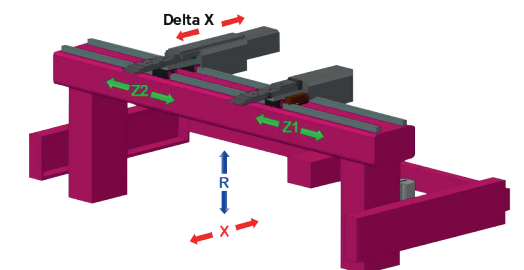
2 axes + Y1 & Y2



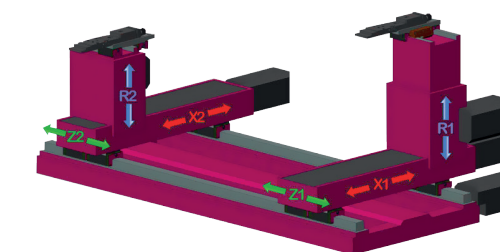
4 axes + Y1 & Y2



5 axes + Y1 & Y2



6 axes + Y1 & Y2



Data sheet

Model	Bending length	Bending power	Distance between columns	Y rapid speed	Y working speed	Y return speed	Crowning	Travel in x axis	Speed of x axis	Backgauge finger blocks	Number of sheet support (Sliding front arms)	Oil capacity	Motor power	Stroke	Daylight	Throat depth	Table height	Table width	Length	Height	Width	Weight
	A		B											C	D	E	F	G	L	H	W	
	mm	Ton	mm	mm/s	mm/s	mm/s		mm	mm/s	Adet/pcs.	Adet/pcs.	lt.	kW	mm	mm	mm	mm	mm	mm	mm	mm	kg
CNC-HPB.40.15/12	1550	40	1200	160	10,0	150	-	750	250	2	2	75	4	265	450	410	800	90	1950	1870	1500	3000
CNC-HPB.70.15/12	1550	70	1200	140	8,0	130	-	750	250	2	2	75	5,5	265	450	410	800	90	1950	1870	1500	3500
CNC-HPB.100.15/12	1550	100	1200	130	8,0	120	-	750	250	2	2	75	7,5	265	450	410	800	90	1950	1870	1500	4000
CNC-HPB.135.15/12	1550	135	1250	120	12,9	130	-	750	250	2	2	80	7,5	265	450	410	800	90	1950	2250	1200	4750
CNC-HPB.45.20/17	2050	45	1700	130	8,0	120	-	750	250	2	2	120	4	265	450	410	800	90	2500	2000	1500	3600
CNC-HPB.70.20/17	2050	70	1700	130	8,0	120	-	750	250	2	2	120	5,5	265	450	410	800	110	2500	2000	1500	4500
CNC-HPB.100.20/17	2050	100	1700	130	8,0	120	-	750	250	2	2	120	7,5	265	450	410	800	110	2500	2000	1500	5300
CNC-HPB.70.25/21	2550	70	2100	130	8,0	120	-	750	250	2	2	150	5,5	265	450	410	800	110	2950	2020	1500	5500
CNC-HPB.100.25/21	2550	100	2100	120	8,0	130	-	750	250	2	2	150	7,5	265	450	410	850	110	2950	2200	1500	5800
CNC-HPB.135.25/21	2550	135	2100	120	8,0	120	-	750	250	2	2	150	7,5	265	450	410	850	110	2950	2200	1500	6000
CNC-HPB.170.25/21	2550	170	2100	120	8,0	120	-	750	250	2	2	150	11	265	450	410	850	140	2950	2200	1500	6300
CNC-HPB.70.30/25	3050	70	2550	140	9,0	130	-	750	250	2	2	180	11	265	450	410	850	140	3750	2250	1750	6500
CNC-HPB100.30/25	3050	100	2550	140	9,0	130	-	750	250	2	2	180	11	265	450	410	850	140	3750	2250	1750	6500
CNC-HPB.135.30/25	3050	135	2550	140	9,0	130	-	750	250	2	2	180	11	265	450	410	850	140	3750	2250	1750	7000
CNC-HPB.170.30/25	3050	170	2550	130	8,2	120	-	750	250	2	2	180	11	265	450	410	870	170	3500	2400	1500	7500
CNC-HPB.225.30/25	3050	225	2550	110	7,1	95	-	750	250	2	2	180	15	265	450	410	880	250	3520	2620	1700	7800
CNC-HPB.260.30/25	3050	260	2550	100	7,3	95	Manual	750	250	2	2	180	15	265	450	410	930	220	3520	2830	1900	8200
CNC-HPB300.30/25	3050	300	2550	90	7,3	90	Manual	750	250	2	2	180	18,5	265	450	410	960	360	3520	2830	1900	12000
CNC-HPB435.30/25	3050	435	2550	80	6,8	70	Manual	750	250	2	2	180	22	265	450	410	1010	400	3520	3110	2150	17500
CNC-HPB.540.30/25	3050	540	2550	80	6,8	70	Motorized	750	250	2	2	260	22	265	450	410	880	250	3520	3500	1700	22500
CNC-HPB.135.37/31	3700	135	3100	120	8,0	125	Manual	750	250	2	2	250	11	265	450	410	900	140	4050	2500	1290	7800
CNC-HPB.170.37/31	3700	170	3100	120	8,2	100	Manual	750	250	2	2	250	11	265	450	410	920	170	4050	2600	1500	8300
CNC-HPB.225.37/31	3700	225	3100	110	7,1	95	Manual	750	250	2	2	250	15	265	450	410	930	220	4070	2820	1700	9500
CNC-HPB.300.36/31	3600	300	3100	100	7,3	95	Manual	750	250	3	3	260	18,5	265	450	410	1010	360	4070	3030	1900	16000
CNC-HPB.435.36/31	3600	435	3100	80	6,8	70	Motorized	750	250	3	3	260	22	265	450	510	1010	400	4150	3110	2150	19500
CNC-HPB.135.40/31	4050	135	3100	130	8,0	125	Manual	750	250	2	2	250	11	265	450	410	900	140	4500	2500	1290	8100
CNC-HPB.170.40/31	4050	170	3100	120	8,2	100	Manual	750	250	2	2	250	11	265	450	410	920	170	4500	2600	1500	8900
CNC-HPB.225.40/31	4050	225	3100	120	7,1	100	Manual	750	250	2	2	250	15	265	450	410	930	220	4520	2820	1700	12200
CNC-HPB.260.40/31	4050	260	3100	100	7,1	95	Manual	750	250	2	2	250	18,5	265	450	410	930	220	4520	2820	1700	12800
CNC-HPB.300.40/31	4050	300	3100	90	7,3	90	Manual	750	250	2	2	250	18,5	265	450	410	1010	360	4520	3130	1900	14000
CNC-HPB.435.40/31	4050	435	3100	80	6,8	70	Motorized	750	250	2	2	250	22	265	450	410	1010	400	4600	3310	2150	21500
CNC-HPB.540.40/31	4050	540	3100	80	6,7	78	Motorized	750	250	2	2	300	30	315	500	510	1010	400	4600	3360	2250	26000
CNC-HPB.640.40/31	4050	640	3100	80	6,7	78	Motorized	750	250	2	2	300	30	315	500	510	1010	400	4600	3360	2250	28000
CNC-HPB.225.60/41	6050	225	4100	100	7,3	95	Manual	750	250	3	3	300	18,5	265	450	410	1010	360	6500	3130	1900	22500
CNC-HPB.300.60/51	6050	300	5100	90	7,3	90	Manual	750	250	3	3	400	18,5	265	450	510	1010	360	6500	3130	1900	27500
CNC-HPB.435.60/51	6050	435	5100	80	6,8	70	Motorized	750	250	3	3	400	22	265	450	510	900	400	6650	3500	2150	36000
CNC-HPB.540.60/51	6050	540	5100	80	6,7	78	Motorized	750	250	3	3	400	30	315	500	510	900	400	6650	3750	2250	40500
CNC-HPB.640.60/51	6050	640	5100	80	7,3	70	Motorized	750	250	3	3	400	37	365	550	510	900	500	6650	3800	2550	45000
CNC-HPB.800.60/51	6050	800	5100	80	7,2	70	Motorized	750	250	3	3	400	45	365	550	510	900	500	6750	3900	2650	56000

Above specifications are approximately values. The exact specifications will be given in connection with quotation.



HM Machinery – Quality since 1968

HM Machinery is one of our four strong brands. We produce and sell a wide variety of products within this brand name. The product range consists of geared head drilling machines, corner notchers, folding machines, sheet deburring machines, sheet shears, press brakes, bending rolls, tube deburring machines, lathes, deburring and finishing machines, grinding machines, extraction, and filter units as well as beading machines. The products are manufactured by Scantool Group at our production in Brovst in Denmark, Poland, and Taiwan.

Sales & distribution:

HM MACHINERY A/S

Industrivej 3-9
DK-9460 Brovst
Denmark

Tel.: +45 96 17 93 00
Fax: +45 96 17 93 03
info@hmmachinery.dk

www.scantool-group.com